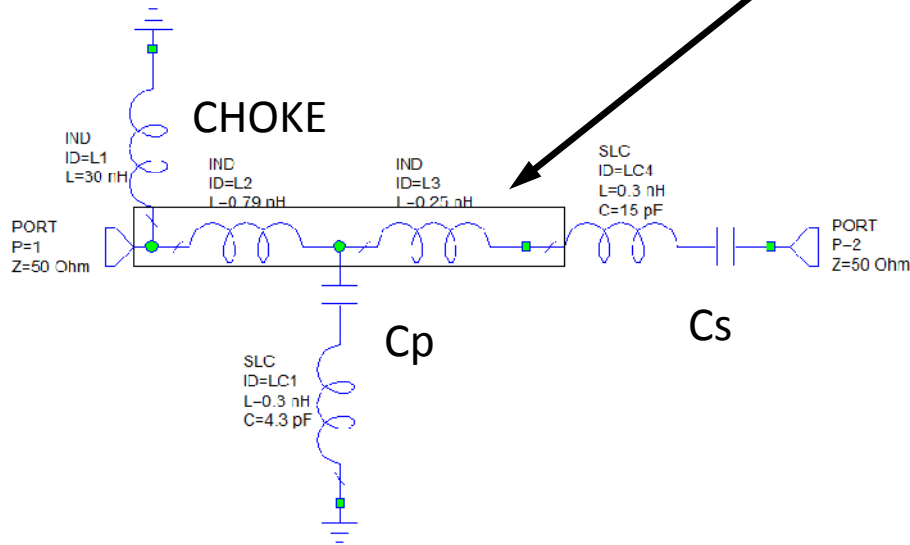


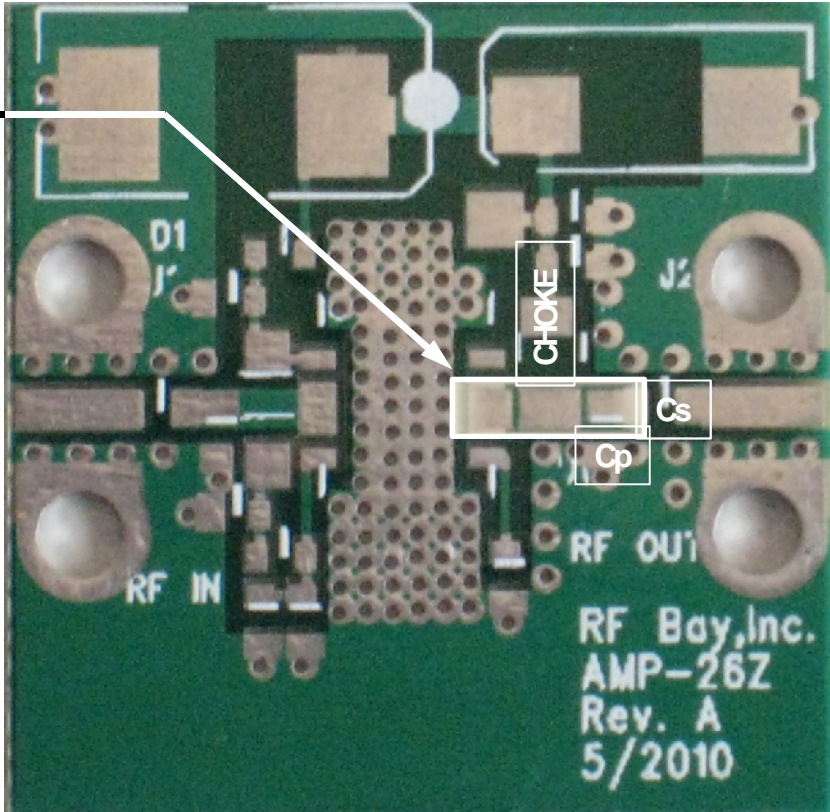
1296 MHz PreDriver Module Output Matching

USING RFMD SPB2026 MMIC

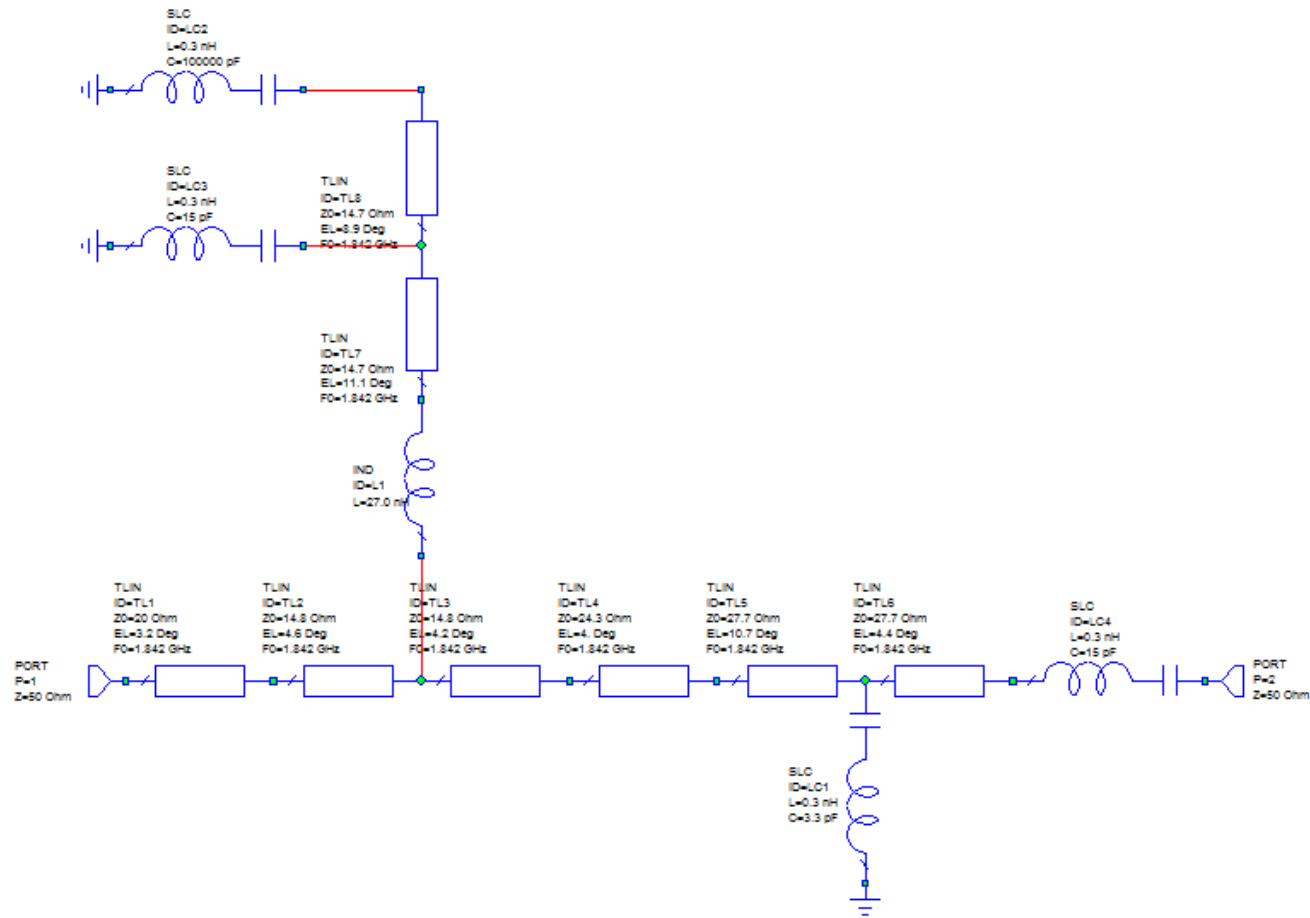
RFMD SPB2026 PCS - Test Board



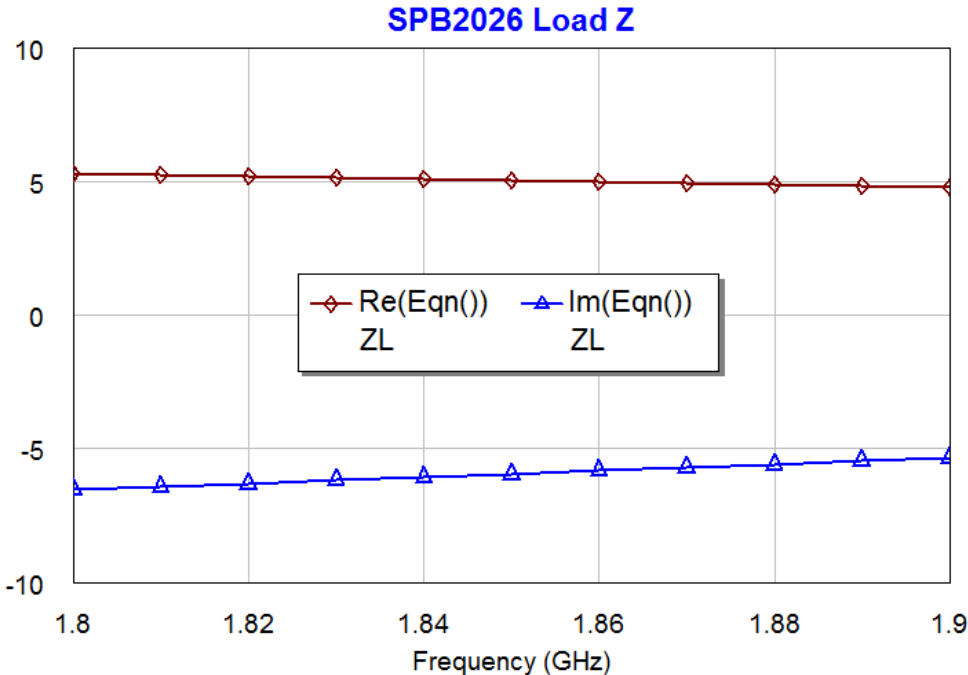
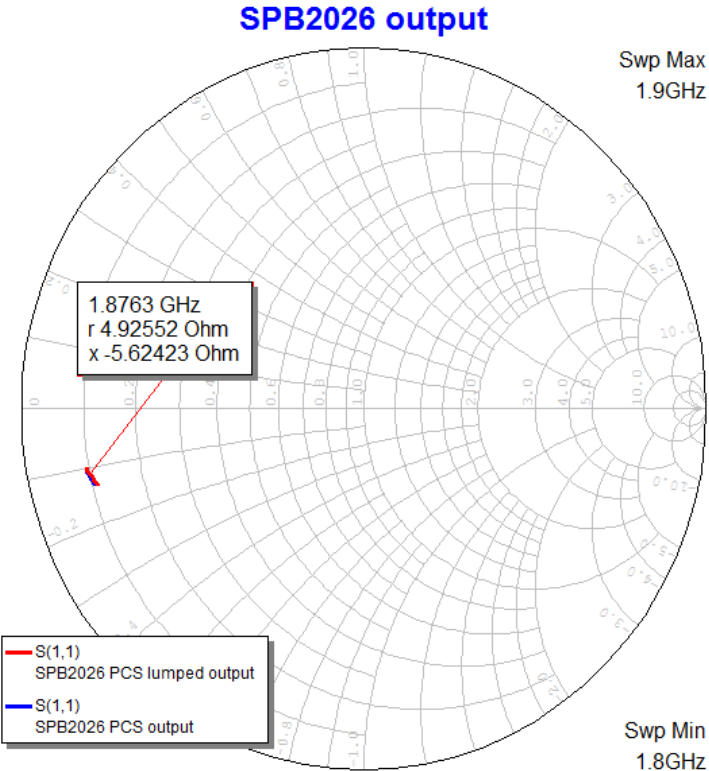
PCS (1.8 MHz – 1.9 GHz)
EQUIVALENT CIRCUIT



RFMD SPB2026 PCS - Detailed Model

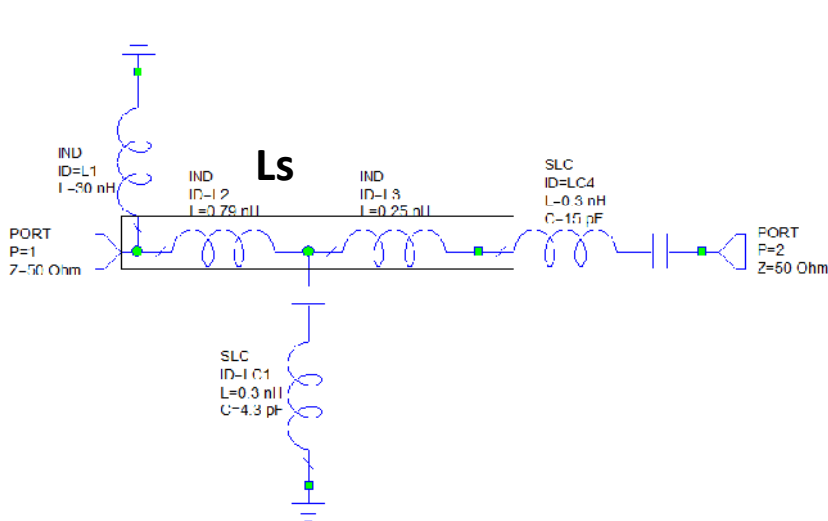


SPB2026 PCS Load

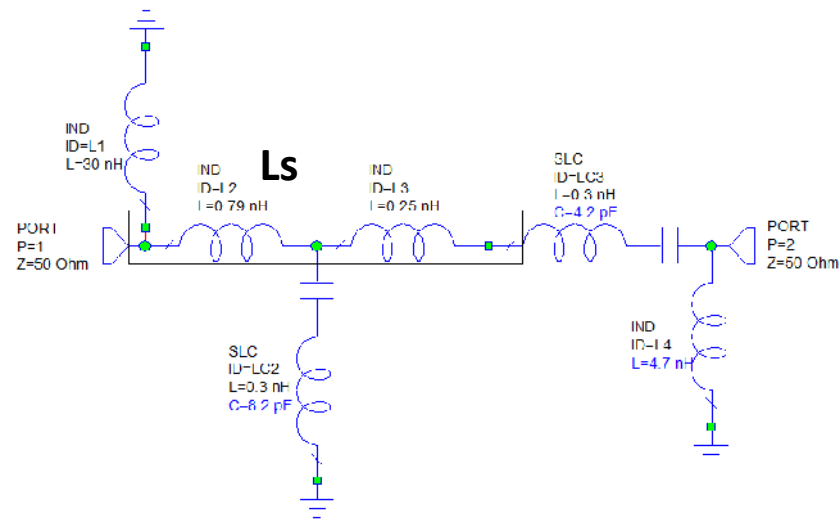


SPB2026 1296 MHz BP Match

- Reuse of PCS board
- Series L_s is unchanged (printed on board)
- Two element PCS -to- Four element 1296 MHz match

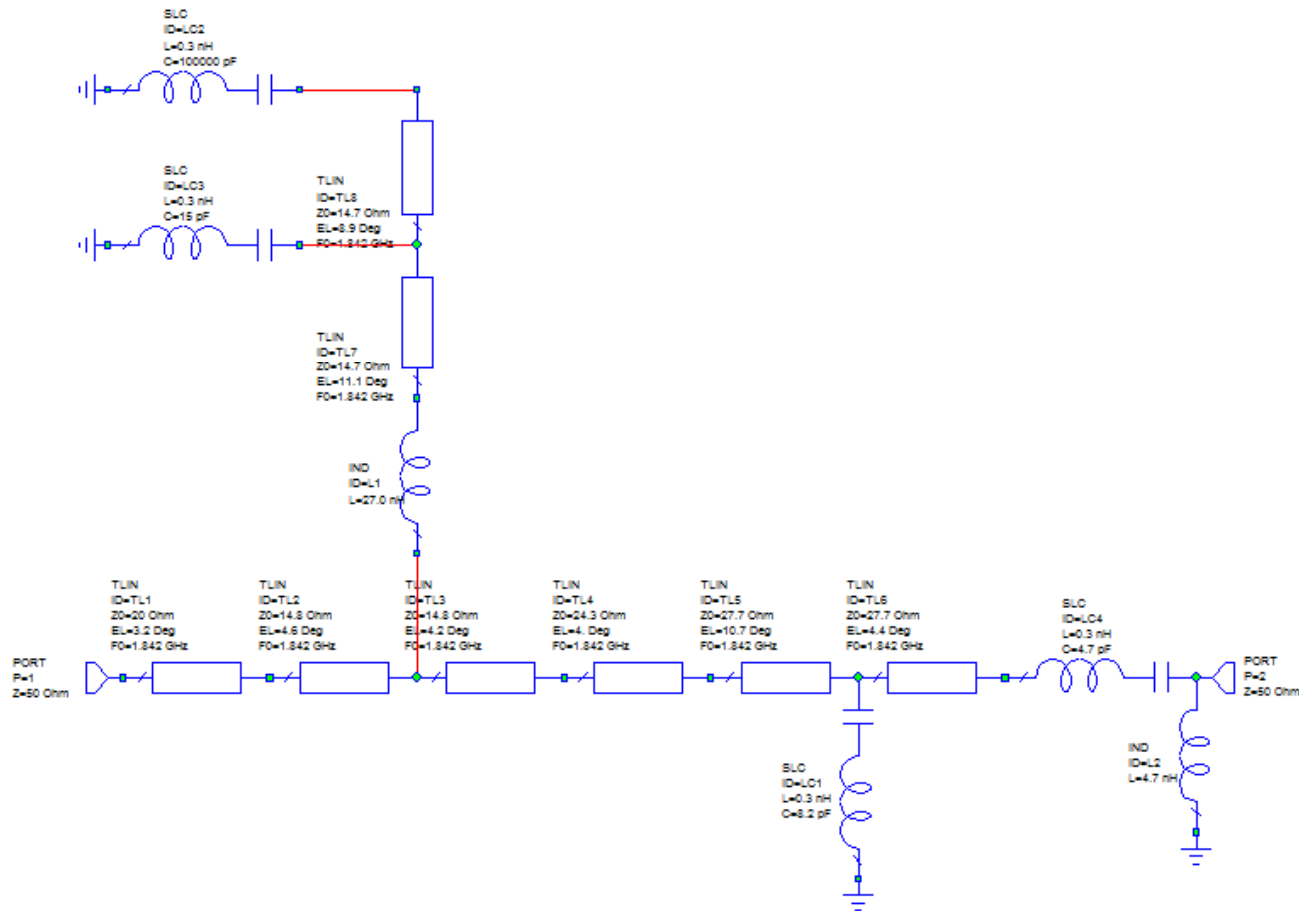


PCS BAND MATCH (L_s , C_p)



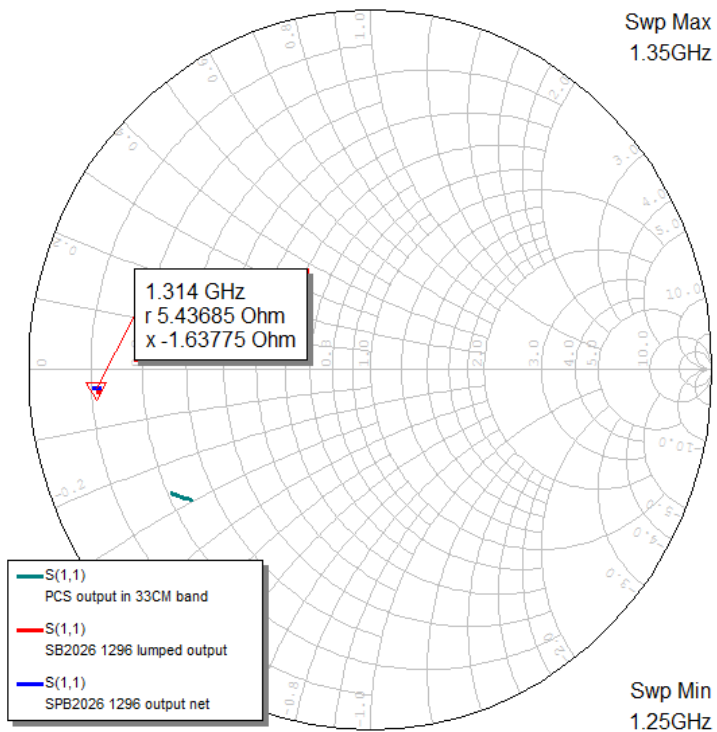
1296 MHz MATCH (L_s , C_p , C_s , L_p)

RFMD SPB2026 23cm - Detailed Model

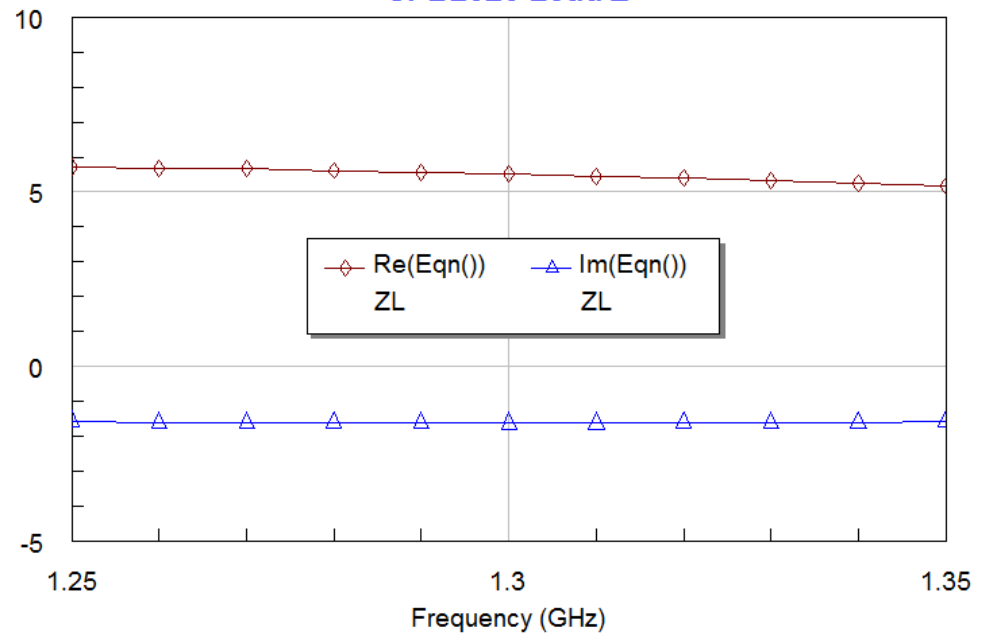


SPB2026 1296 MHz Load

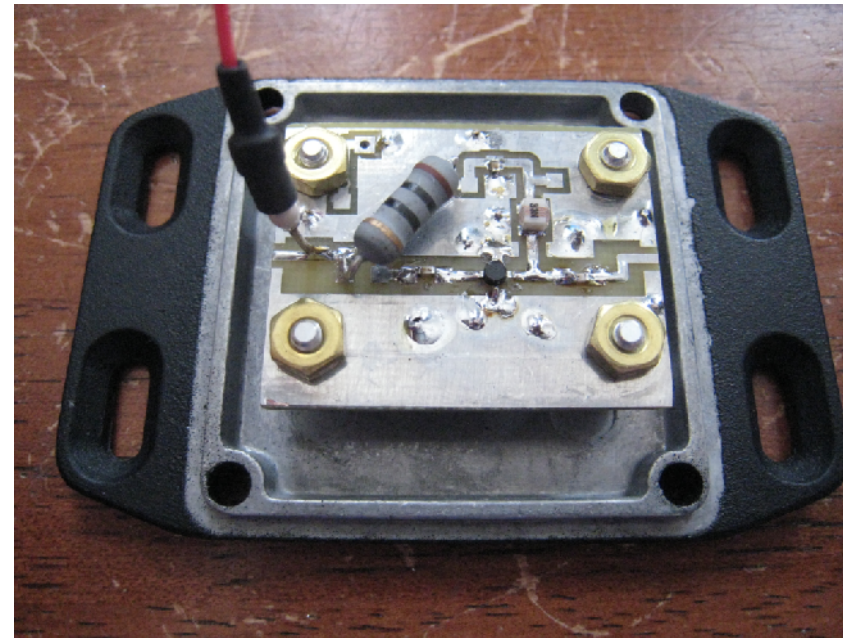
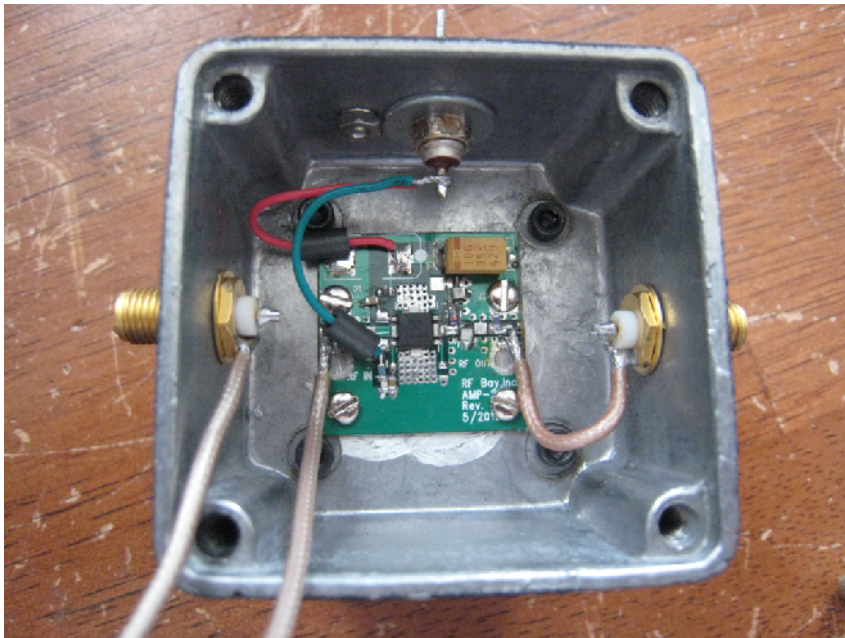
SPB2026 Output



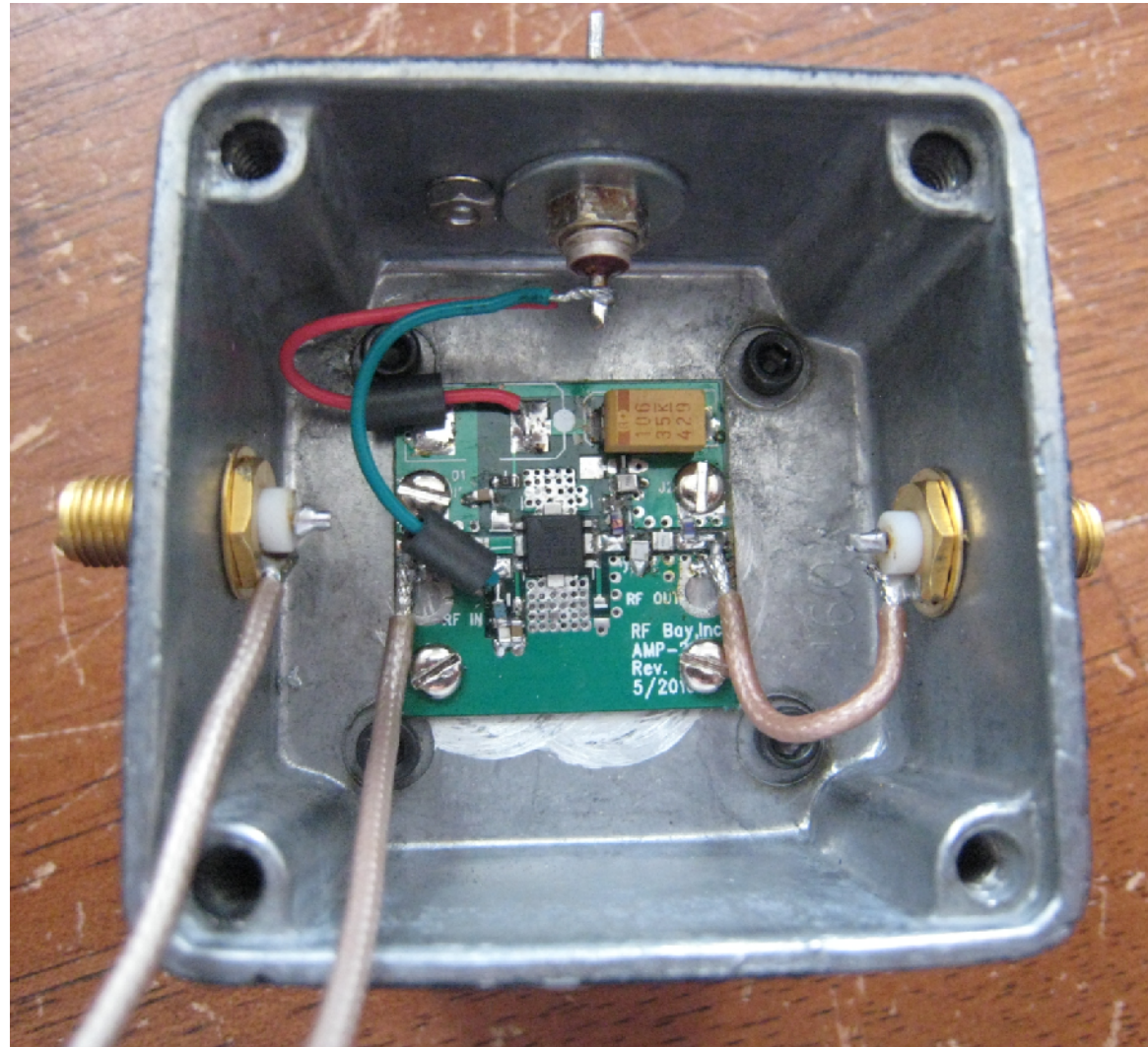
SPB2026 Load Z



SPB2026 and SGA6386 Boards



PreDriver

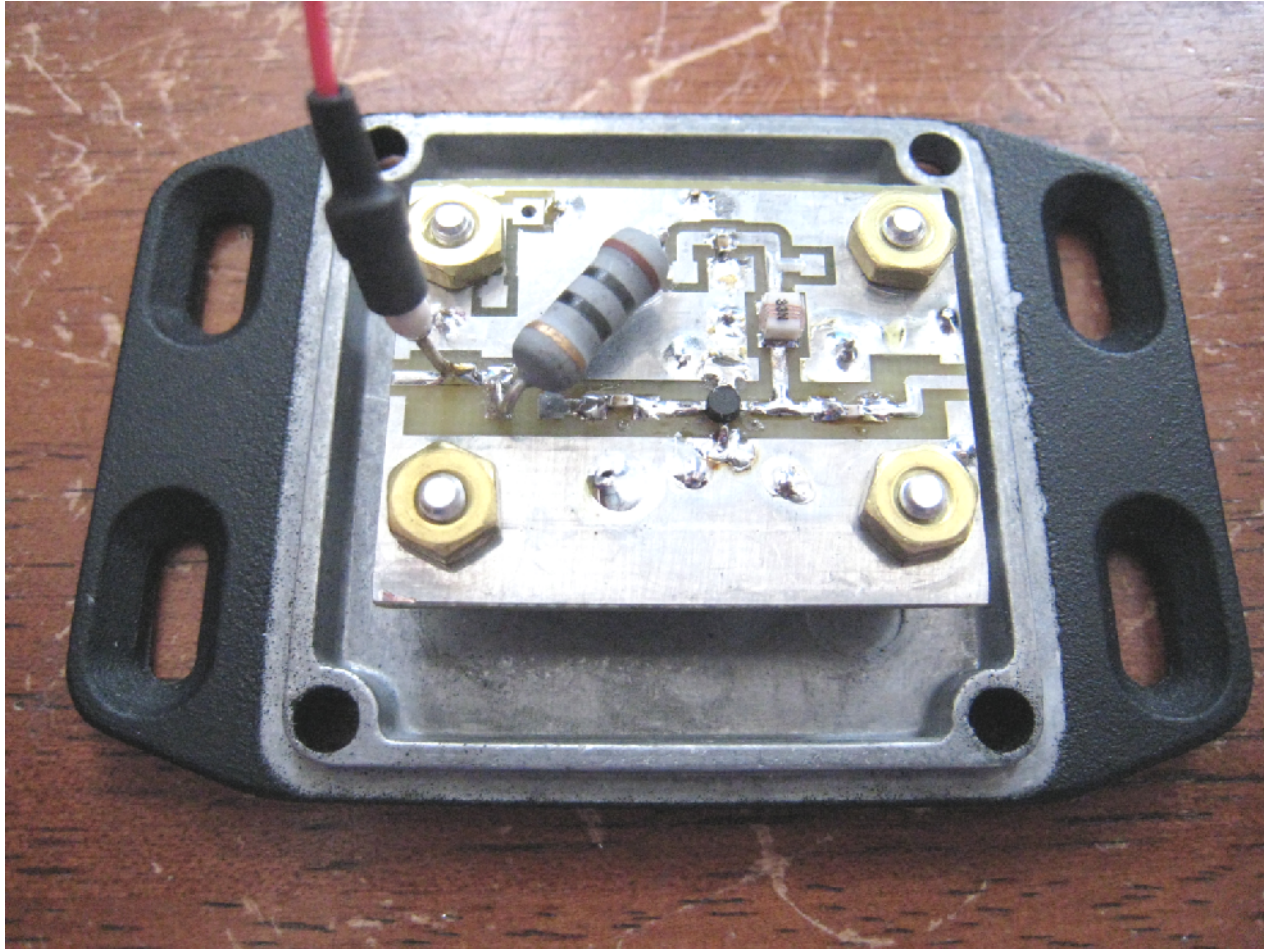


K5TRA

T.Apel

9

Pre - PreDriver



Completed 23 cm PreDriver Module

